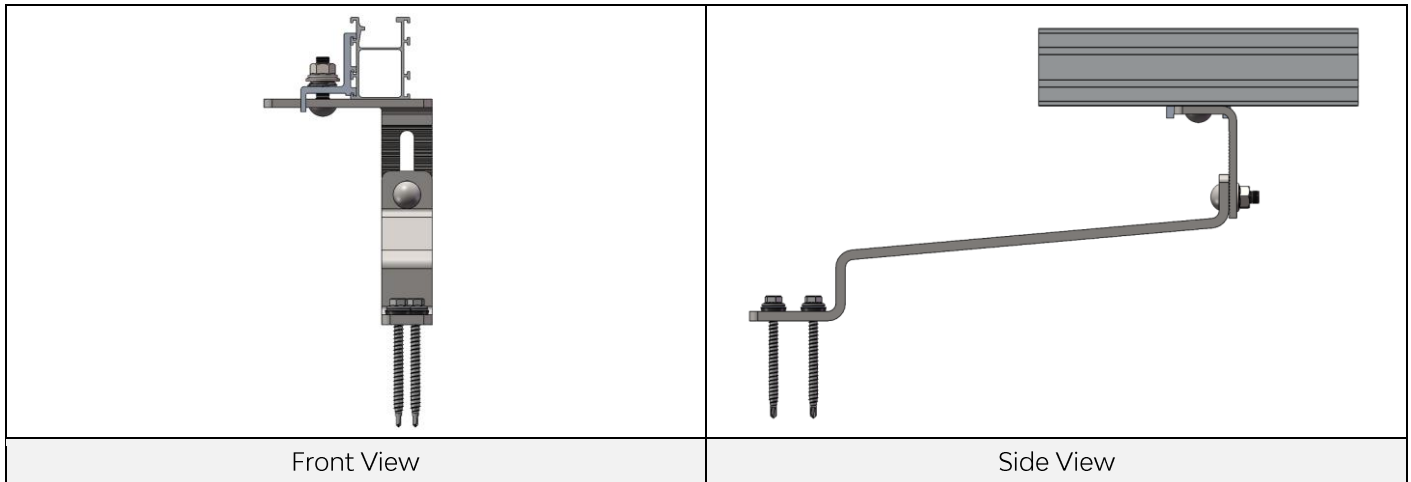


Plain Tile Hook, Landscape

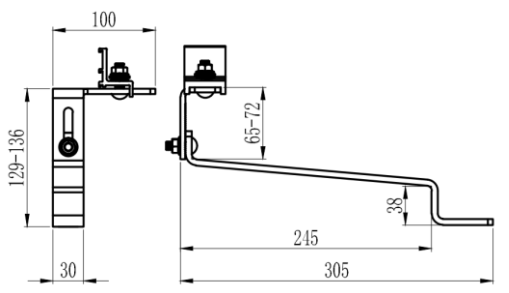
Assembly



Component



Technical Specification

Application	Tile Roof Timber Rafter	
Screw Specification	2 x Buildex 14-11 x 70 (14 gauge, 6.3 mm, 11 TPI, 70 mm long) Hex Head Zips Screw	
Dimensions	L305*W30*H129-136*T6mm	
Weight	0.778 kg	
Packaging	8 units per pack, 2 packs (16 units) per carton	
Material	Roof Hook: SUS304 Bolts/Washer/Nuts/Spring: SUS304 Rail Clamp: AL6005-T5	
Standard	BRE489 GB50797 AS NZS1170.2 EN1991 JISC8955 ASCE 7-10	