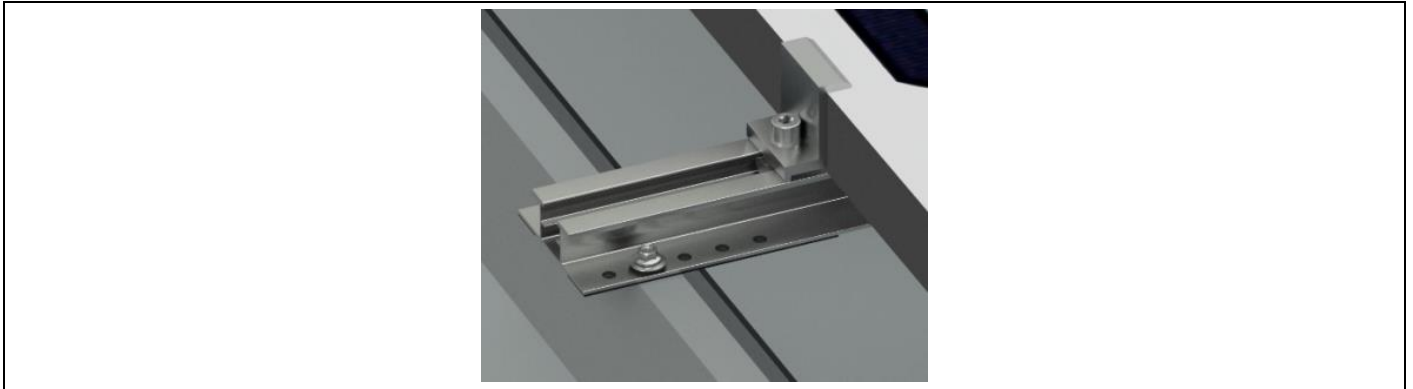


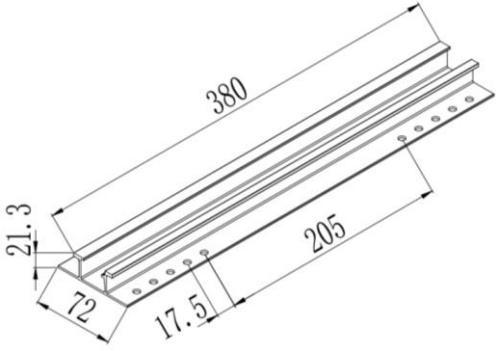
Mycro Rail, 380mm



Component



Technical Specification

Application	Trapezoidal Roof	
Fixing method	Fixed on the Metal roof with 4 Self-drilling screws	
EPDM	Pre-fitted (1mm thickness)	
Dimensions	L380mm*W72mm*H21.3mm	
Weight	0.264 Kg	
Packaging	72 units per carton	
Material	Main parts: AL6005-T5 Rubber Pad: EPDM	
Color	Silver	
Finish	Anodized (no less than 10 µm, excluding machined surfaces)	
Standard	BRE489 GB50797 AS NZS1170.2-2011 EN1991 JISC8955 ASCE 7-10	