



SEMI-PUBLIC CHARGING SOLUTIONS

NEX

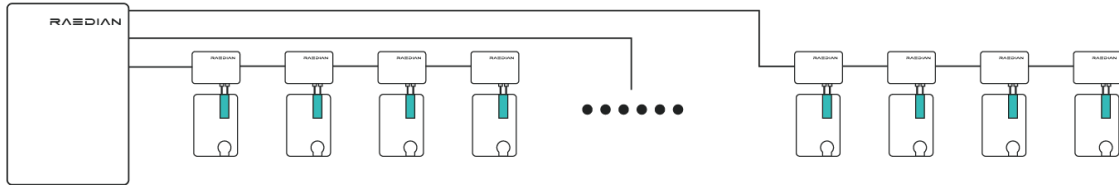
Up to 22kW

Highlights



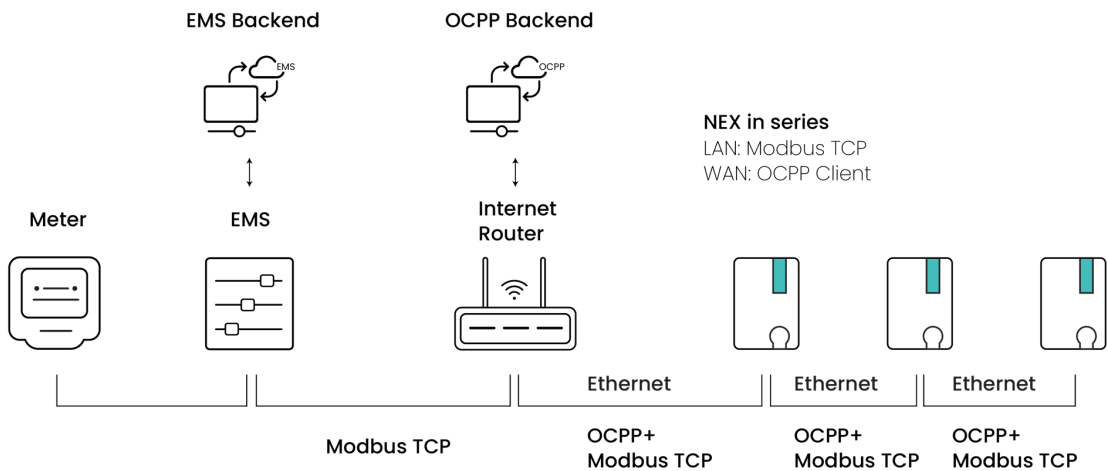
Plug and Play Power Distribution System with Busbar

ECPC Hub with RCD, SPD, MID metering, and EMS, ECPC Unit with upstream RCD. Maximize installation and hardware cost-saving.



Daisy Chain Connectivity

Implement Ethernet connectivity for OCPP and Modbus TCP in series, minimize networking hardware cost and reduce commissioning effort.



Turnkey Solution for Site Operation

Dynamic local load management with EMS

Modbus TCP connected EMS to balance multiple charging sessions in parallel. Scale up anytime without the grid capacity upgrade.

Management mixed portfolio

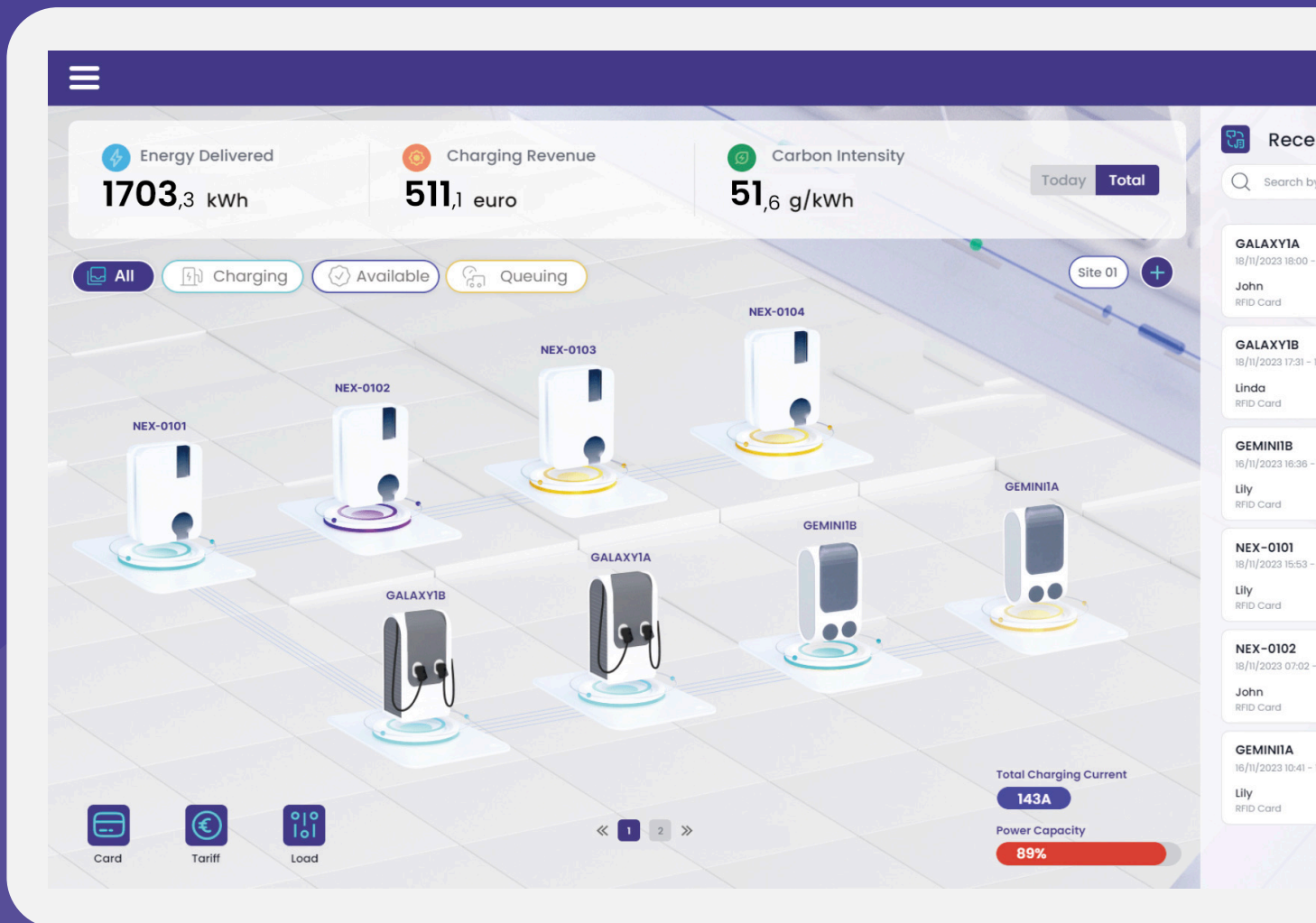
Managing AC and DC high power chargers in the same system in Nebula CMS and EMS.

MID trustworthy billing

Fully integrated MID meter of $\pm 1\%$ accuracy, certified by SGS. 100% calibrated and inspected during production.

Nebula CMS

Zero barrier charging management system that allows you to run hassle-free charging sites operation.



Build your own charging sites and visualize your charging sites operation.

Setup tariff and differentiate by different customer group.

Trustworthy charging consumption record based on integrated MID metering.

Create RFID card for your customer and manage access.

Invoices and receipts with kWh consumption and pricing, are automatically generated and sent by email.

Flexible billing methods including paid-by-session and monthly billings.

Accessories



ECPC Hub 80A/160A/250A

Type A RCD, Type I+II SPD, IP65,
MID metering



ECPC Unit 40A 1ph/3ph

Type A RCD/Type B RCD + Type II
SPD, IP65



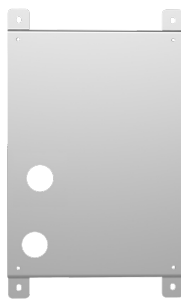
Charging cable 22kW/7kW

5m/7,5m, Type 2 to Type 2
Comes with a carry bag



Pedestal with roof

For charging station mounting



Wall bracket

Safe and secure mounting on
uneven surfaces



Operational RFID card

Customization available

Feature & Function

| | |
|--------------------|---|
| Charging mode | AC Mode 3 |
| Charging connector | IEC 62196 Type 2 cable, Type 2 socket, Type 2 socket with shutter |
| AC power output | Single phase up to 7,4kW. Three phase up to 22kW with downgrade compatibility |

Electrical Design

| | |
|--------------|---|
| Power supply | Single phase: 230VAC \pm 20%, 50/60Hz Three phase: 230/400VAC \pm 20%, 50/60Hz TN/TT/IT |
|--------------|---|

General Design

| | |
|-----------------------|---------------------------------------|
| Operating temperature | -30°C to 55°C with derating mechanism |
| Operating altitude | 3000m |
| Environmental rating | Indoor and outdoor, IP55, IK10 |
| Dimension | 297x210x110 (mm) |
| Weight | 3.3kg – 6,0kg |